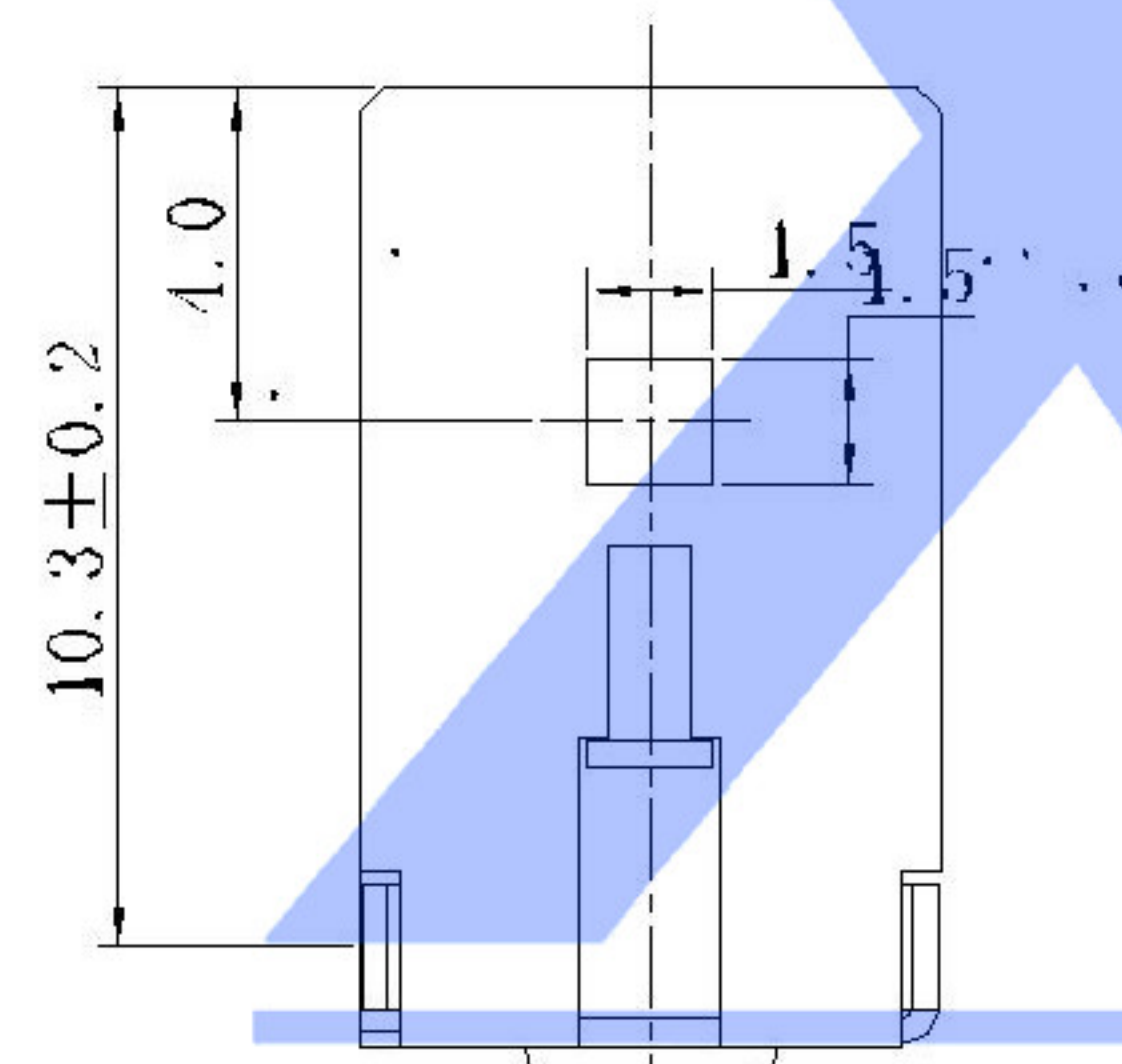
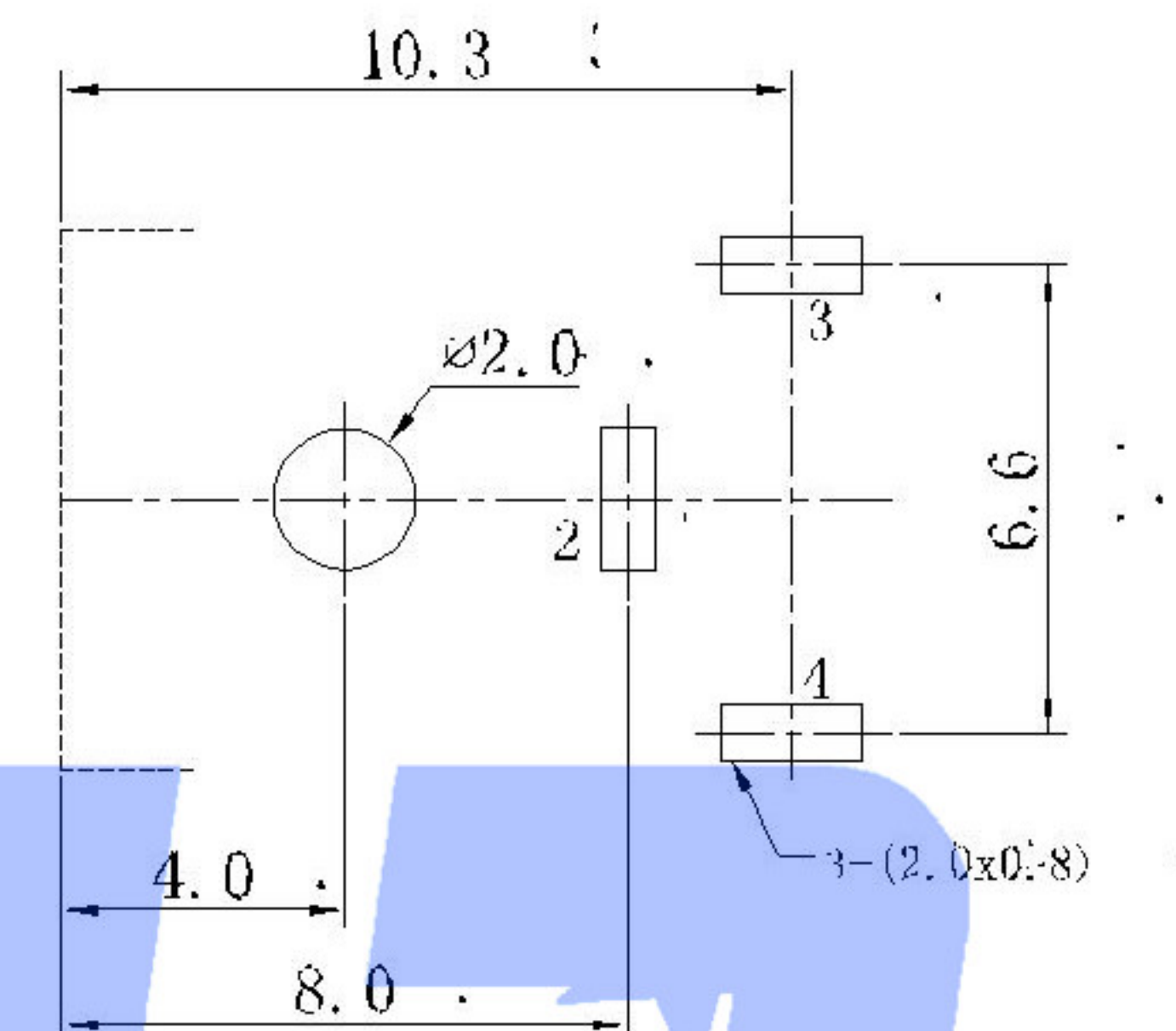


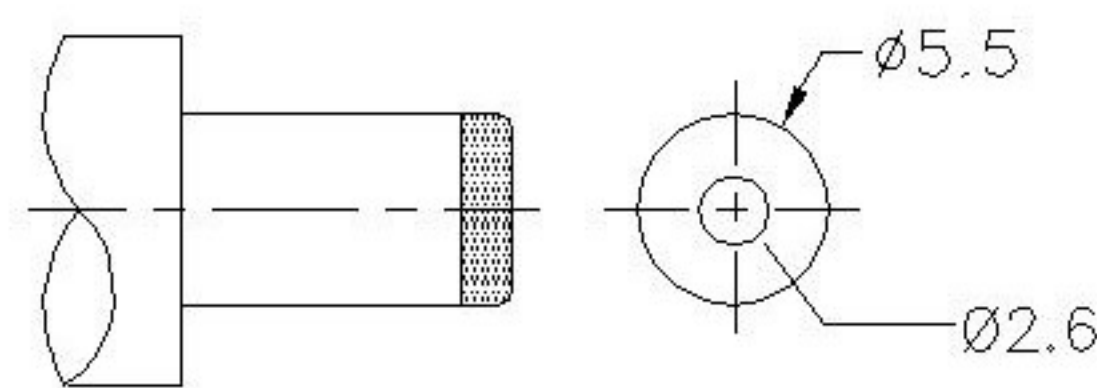
P. C. B LAYOUT
TOP VIEW



SCHEMATIC	
Model	DC-0360
Center Pin	∅2.0 mm
Center Pin	∅2.5 mm

	MATERIAL	PLATING
center pin	Brass	silver
terminal 1	Brass	silver
terminal 2	Phosphor Bronze	silver
terminal 3	Brass	silver
plastic	Pbt	

SWITCH CONNECTOR



MATING PLUG
Jack Insertion Depth: 8.3 mm

					ANGLAR	±5°	DSND		DATE		SCALE: N/A	MODEL TYPE: DC POWER JACK	
△X					X.X	±0.2mm	DWN		DATE		VIEW:	PART NO.:	
△X					X.XX	±0.1mm	CHKD		DATE		UNIT: mm	DWG NO.:	
△X					X.XXX	±0.05mm	APPD		DATE		SIZE: A4	DC-0360-2.5	
MARK	DESCRIPTION	DATE	REVISED	APPROVED	UNSPECIFIED TOLERANCES		XKB INDUSTRIAL PRECISION CO., LIMITED				WEIGHT 1.0g	SHEET 1/1	REVISION A0